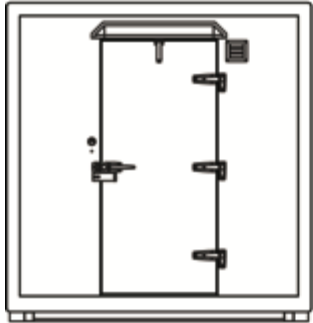
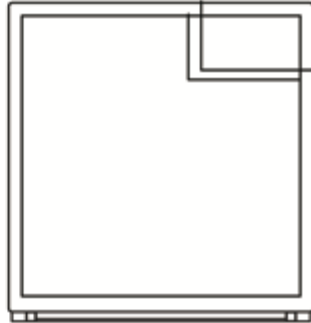


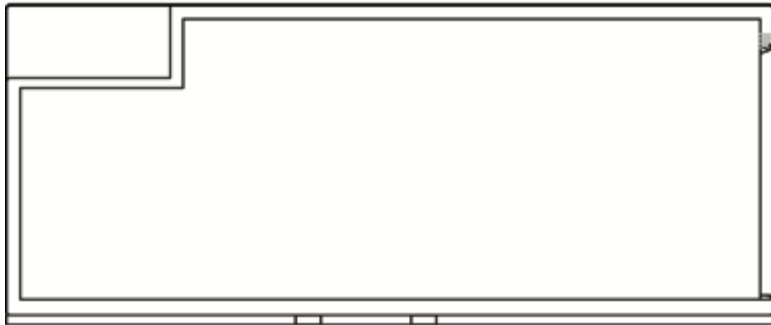
8 x 20 INSPECTION CHECKLIST



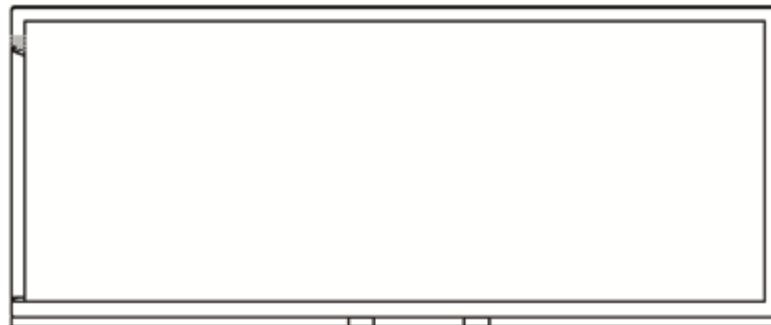
FRONT ELEVATION



REAR ELEVATION



LEFT SIDE ELEVATION



RIGHT SIDE ELEVATION

DATE: **4/19/2024**

CUSTOMER: NHC Chattanooga

DELIVER: **8' x 20' Walk-in**

LOCATION: **NHC Chattanooga**

2700 Parkwood Ave

Chattanooga, Tennessee 37404

DOOR: Facing Cab

Maria England

CONTACT: 304-667-7919

Requesting Morning

DEPOT: Yates Towing and Recovery

- | | | |
|---------------------------|------------------------------|-----------------------------|
| CASTERS REMOVED | YES <input type="checkbox"/> | NO <input type="checkbox"/> |
| CLEAN INSIDE | YES <input type="checkbox"/> | NO <input type="checkbox"/> |
| DOOR HANDLE FUNCTIONAL | YES <input type="checkbox"/> | NO <input type="checkbox"/> |
| DOOR CLOSER FUNCTIONAL | YES <input type="checkbox"/> | NO <input type="checkbox"/> |
| SAFETY RELEASE FUNCTIONAL | YES <input type="checkbox"/> | NO <input type="checkbox"/> |

NOTES: **ALL CASTERS MUST BE TAKEN OFF OF UNIT UPON DELIVERY**

ORDER NO: 27836

DRIVER'S SIGNATURE: _____

CUSTOMER'S SIGNATURE: _____



**SHORT AND LONG TERM
REFRIGERATION
RENTAL**

4410 New Haven Avenue. Fort Wavne. IN 46803